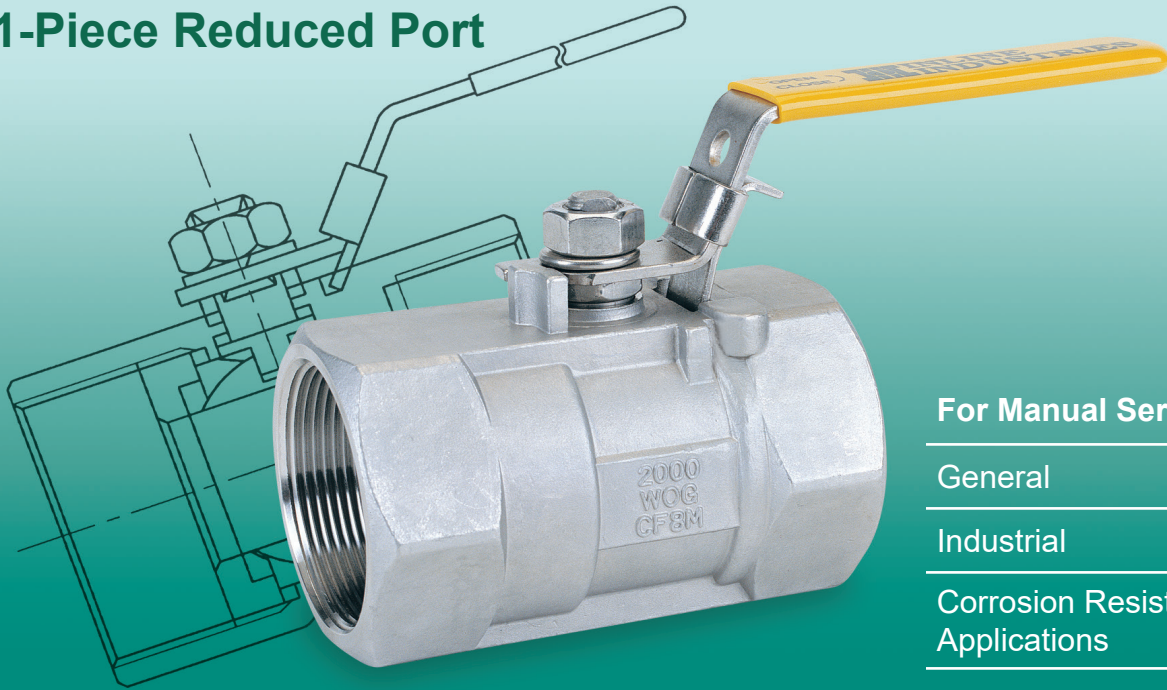


102R Ball Valve

1-Piece Reduced Port



For Manual Service

General

Industrial

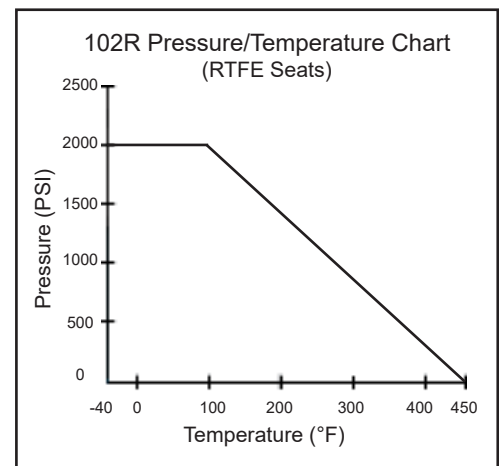
Corrosion Resistant
Applications

Standard Features and Benefits

- **Economical 1-Piece Design**
- **High Pressure Construction**
- **Blow-Out-Proof Stem**
- **Independent Packing Gland**
Allows for handle replacement while valve is in service
- **Made of Corrosion-Resistant 316 SS (A351 Gr. CF8M)**
One valve can be used for many service conditions
- **Integral Locking Device**
Enables plant personnel to secure valve in open or closed position when manually operated
- **Investment Cast**
High quality investment castings improve dimensional control and reduce porosity

Options

- **Material Test Reports Available Upon Request**



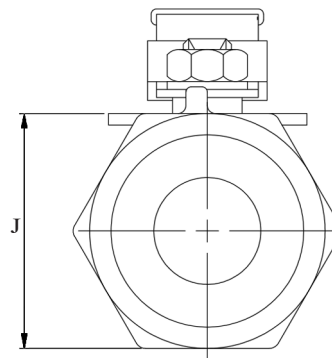
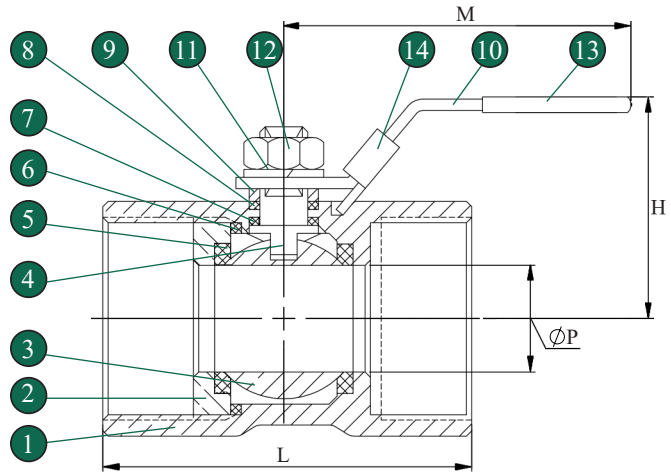
Operating Conditions

- Temperature Range (RTFE):
-40°F ~ 450°F
- Maximum Pressure (RTFE):
2000 PSI WOG

Specifications

- All valves shell and seat tested to ANSI/ASME B16.34, API 598 and MSS-SP-110
- All materials comply with applicable ASTM material specifications

Valve Components			
No.	Part Name	Material	Qty
1	Body	CF8M	1
2	Insert	316 SS	1
3	Ball	316 SS	1
4	Stem	316 SS	1
5	Seat	RTFE (15% G.F.)	2
6	Body Seal	PTFE	1
7	Thrust Washer	PTFE	1
8	Stem Packing Set	PTFE	1
9	Packing Gland	304 SS	1
10	Handle	304 SS	1
11	Split Lock Washer	304 SS	1
12	Handle Nut	304 SS	1
13	Handle Cover	Vinyl	1
14	Locking Device	304 SS	1



Dimensions (Inches)						
Size	L	P	M	H	J	Weight (lbs)
1/4"	2.05	0.20	2.9	1.2	0.67	0.2
3/8"	2.05	0.28	2.9	1.2	0.79	0.3
1/2"	2.60	0.36	3.5	1.9	1.10	0.6
3/4"	2.80	0.49	3.5	2.0	1.34	0.9
1"	3.15	0.59	4.3	2.1	1.59	1.4
1 1/4"	3.74	0.79	4.3	2.5	1.97	2.2
1 1/2"	3.98	0.98	5.5	2.7	2.44	3.0
2"	4.49	1.26	5.5	3.0	2.73	4.5

102R Ordering Information

Example: 2" Reduced Port Ball Valve with Lever Handle and Locking Device, 316 SS Body and Trim, RTFE (15% G.F.) Seats and PTFE Seals, NPT Ends

Valve Series	Valve Size	Body Material	End Material	Ball Material	Stem Material	Seat	Seal	End Connection	Port	Ball Configuration
102R - Reduced Port	2	6 - A351 Gr. CF8M (316)	6 - A351 Gr. CF8M (316)	6 - 316 SS	6 - 316 SS	R - RTFE (15% G.F.)	T - PTFE	T - NPT	2 - 2 Way	S - Straight Port
	3									
	5									
	7									
	A									
	B									
	C									
	D									

Due to continuous product development, information may change without notice.



INLINE INDUSTRIES, INC.

9056 Garvey Avenue

Rosemead, CA 91770

Tel: (800) 568-8998

(626) 813-6188

Fax: (626) 813-6186

www.ballvalve.com

info@ballvalve.com

Distributed by: